

WRR-P-S206S

Wisenet WAVE Network Video Recorder



The WRR-P-S206S series offers an affordable and reliable 2U rackmount solution for any entry level deployment. Up to 416TB of raw video-optimized storage is provided by 24/7 duty cycle SATA drives.

The latest Intel® Xeon® Silver 4216 Series Processor allows for high powered computing power, and 32GB of DDR4 RAM provides the system resources to scale as needed.

A dedicated solid state drive for applications and the operating system enables fast boot and load times. Supports RAID 0, 1, 5, 6, and 10 storage configuration allowing for increased reliability, and a 5-year, on-site, Next Business Day, Keep Your Hard Drive warranty ensures peace of mind.

Each server is pre-configured with Wisenet WAVE VMS and preloaded with 4 Professional licenses to ensure quick and easy deployment with minimum setup time.

Key Features

- Preloaded and configured with Wisenet WAVE video management system
- 470 Mbps of recording throughput
- Pre-configured for RAID 6
- Up to 416TB of Raw Storage
- Supports RAID 0, 1, 5, 6, 10 configurations
- SSD & 24/7 Duty Cycle SATA Drives
- IPMI Management
- Includes USB mouse and keyboard
- Includes Sliding Rack Rail with Cable Management Arm
- 5-Year, On-site, Next Business Day, Keep Your Hard Drive Warranty
- Supports Wisenet and ONVIF conformant IP cameras
- Supports up to 128 2MP cameras @ 54 days retention, H.264, 30 fps
- Supports up to 128 4MP cameras @ 34 days retention, H.264, 30 fps



WRR-P-S206S

SYSTEM	
Video Management Software	Wisenet WAVE
Recording Bandwidth	Up to 470 Mbps
Pre-loaded Licenses	4 x Wisenet WAVE Professional Licenses
OS Drive Bays	2 x 240GB Dual RAID 1 SSD (internally mounted)
Data Drive Bays	24 x 3.5" Front Hot Swappable Bays / 2 x 3.5" Rear Hot Swappable Bays
Data Storage	Up to 416TB raw storage, 349TB usable after formatting & RAID 6
RAID Support	RAID 0, 1, 5, 6, 10, 8Gb NV Cache (RAID 6 default configuration)
Network Interface	4 x RJ45 Gigabit Ethernet / 2 x 10GbE SFP+ Ports
Processor	2 x Intel® Xeon® Silver 4216 Series Processor, 2.1 to 3.2Ghz, 16 Cores / 32 Threads
Memory	32 GB DDR4
Operating System	Windows Server 2019 Standard
Video Outputs	3x MiniDP (1 MiniDP to HDMI adapter included) 1x VGA* (Front), 1 x VGA* (Rear)
USB Ports	2 x USB 3.0 (Rear), 2 x USB 2.0 (Front), 1 x USB 3.0 (Internal)
Other Ports	Serial
Keyboard & Mouse	Included
Sliding Rail Kit	Included, with Cable Management Arm

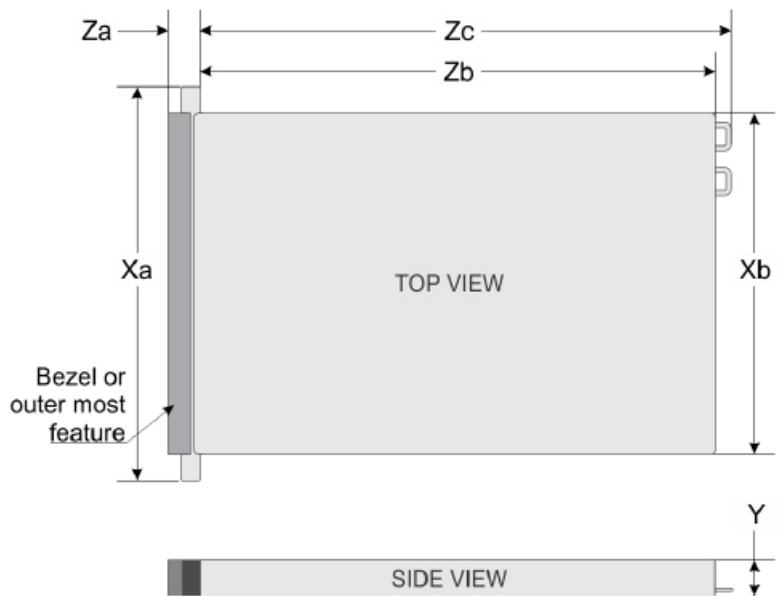
MECHANICAL / ELECTRICAL / ENVIRONMENTAL

Mechanical	Form Factor	2U rack mount chassis
	Color / Material	Black / Metal
	Dimensions (WxDxH)	17.6" (448mm) x 31.9" (810mm) x 3.4" (86.8mm), *Not including handles, latches or bezel
	Weight	Up to 88.2 lbs (40 kg)
Electrical	Power Supply	(2) Redundant 1100W
	Power Input	115/230 VAC
	Power Consumption	Maximum 1100W each PSU
Environmental	Operating Temperature	Standard: 50°F ~ 95°F (10°C ~ 35°C) at 10% to 80% RH with 84.2°F maximum dew point. Refer to manual for operating temperature derating. Extended: 40°F ~ 104°F (5°C ~ 40°C) at 5% to 85% RH with 84.2°F dew point.
	Storage Temperature	-40°F ~ 149°F (-40°C ~ 65°C)
	Operating Humidity	10% to 80% RH with 84.2°F maximum dew point.
Certification	UL, cUL, CB, FCC	

* Weight is on chassis without HDDs
 * The latest product information / specification can be found at www.hanwhasecurity.com
 * Bandwidth performance figures based on performance testing by Hanwha Techwin using Wisenet WAVE
 * VGA outputs are for system configuration only. Not optimized for camera viewing. Use NVIDIA MiniDP outputs for camera viewing.

Dimensions

Unit: inch (mm)



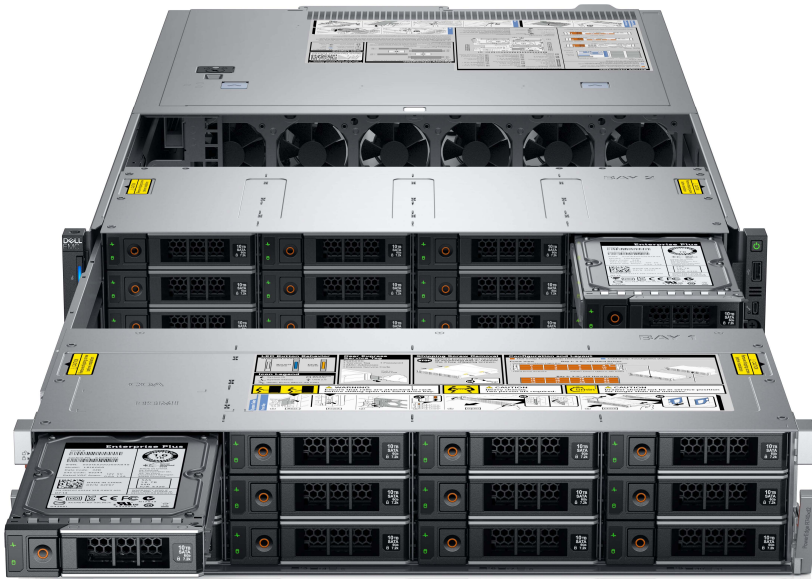
Xa	Xb	Y	Za	Zb*	Zc
482.0 mm (18.9 inches)	448.0 mm (17.63 inches)	86.8 mm (3.41 inches)	With bezel: 35.93 mm (1.41 inches) Without bezel: 22.0 mm (0.866 inches)	810.264 mm (31.9 inches)	844.826mm (33.260 inches)

WRR-P-S206S

Wisenet WAVE Network Video Recorder



*Pre-configured for RAID 6,
Supports RAID 0, 1, 5, 6, 10 configurations.



EFFECTIVE STORAGE CAPACITY*

MODEL	RAW STORAGE	RAID EFFECTIVE STORAGE	
		RAID5	RAID6
WRR-P-S206S-256TB	256TB	240TB	224TB
WRR-P-S206S-288TB	288TB	272TB	256TB
WRR-P-S206S-320TB	320TB	304TB	288TB
WRR-P-S206S-352TB	352TB	336TB	320TB
WRR-P-S206S-384TB	384TB	368TB	352TB
WRR-P-S206S-416TB	416TB	400TB	384TB

* Actual usable space is dependent on file system format and allocation size